

## AC-30 Multi Point Actuator

Push-button



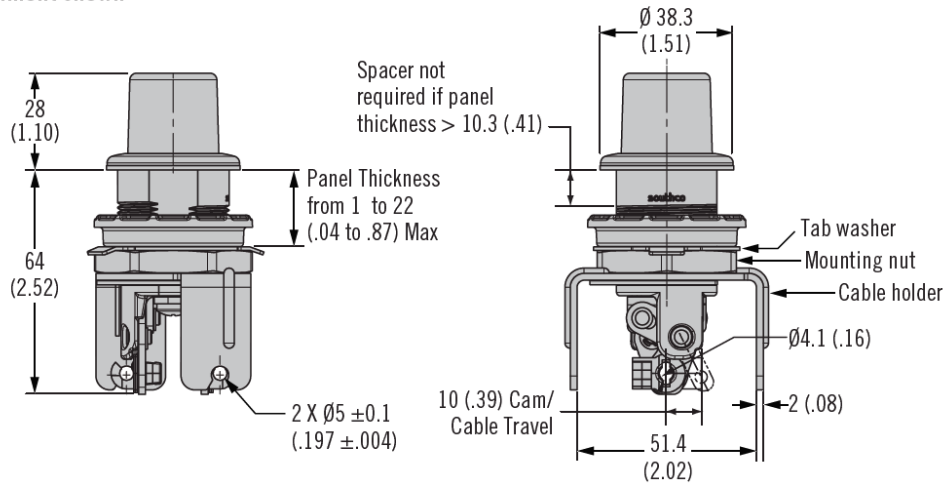
### Features

- Single or multi-point actuation capability
- Accommodates wide panel thickness
- Multiple key code options
- Single hole install

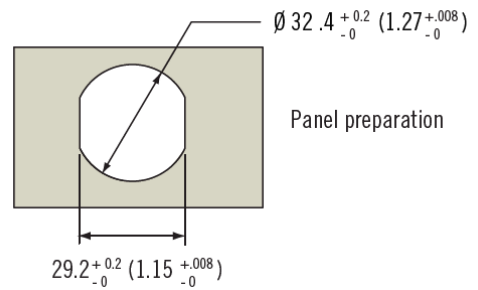
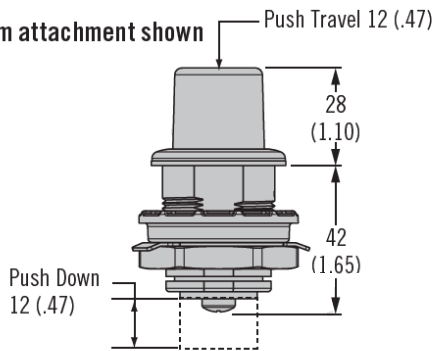
### Material

- Button: Nylon
- Housing: Zinc or stainless steel
- Lock plug: Zinc
- Cam, washer, rivet: Stainless steel, passivated

### With cam attachment shown



### Without cam attachment shown



### E End Style

- 1 With Cam attached
- 3 Without Cam attachment

### H Housing Material

- 1 Zinc alloy with black powder coat
- 3 Stainless steel with black powder coat

### B Button Material

- 1 Nylon, black

AC - 30 - E L M - H B - KC

### L Locking Option

- 1 Reversible key (No keys - R001)
- 2 Reversible key (2 keys included - R001)
- 3 Reversible key (Multiple key codes - 2 keys included)
- 4 Standard key (No keys - CH751)
- 5 Standard key (2 keys included - CH751)
- 6 Standard key (Multiple key codes - 2 keys included)

### K Key Codes

- (Omit for locking options 1,2,4 and 5)
- KD10** Keyed differently (10 codes)
  - MK10** Master keyed, keyed differently

### M Mounting Method

- 1 With spacer mounting (must have if glass panel)
- 2 Without spacer mounting